

VOLVO V70 CLIMATE CONTROLLER REMOVAL 1999 TO 2004

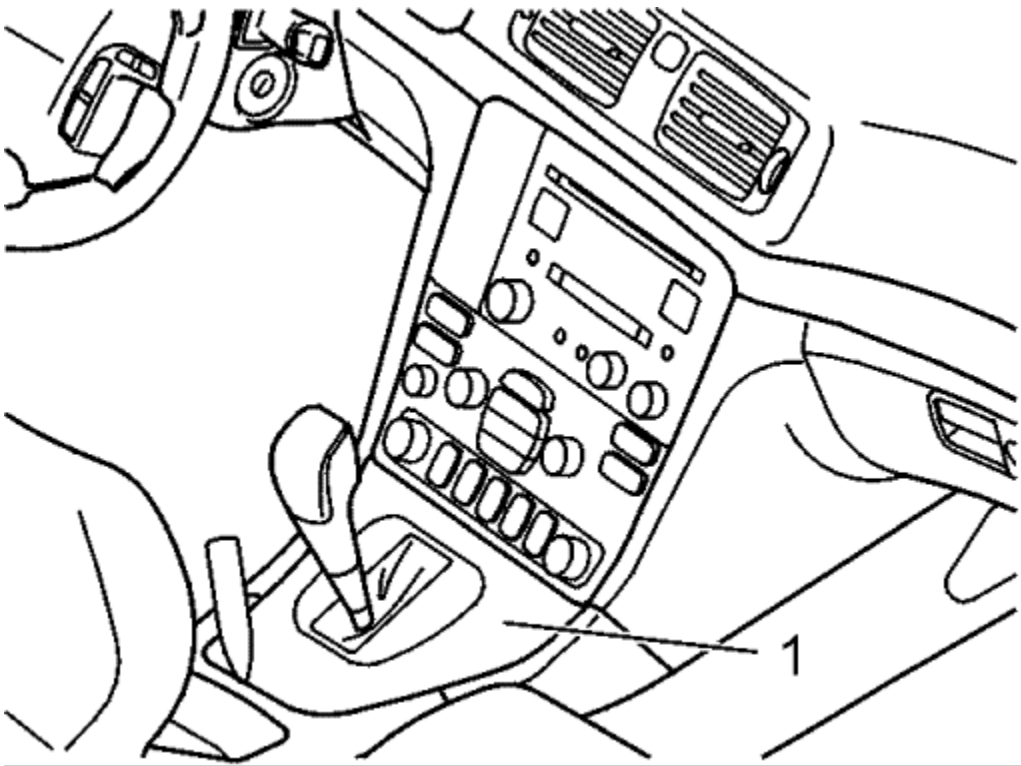
Dashboard Environment Panel (including Climate Control Module (CCM)), Replacing

Replacing dashboard environment panel

- Ignition off.
- Remove the key.

NOTE:

- The key must be removed to ensure that the ignition is not switched on by mistake.
- After the key has been removed: Wait 3 minutes before starting work.

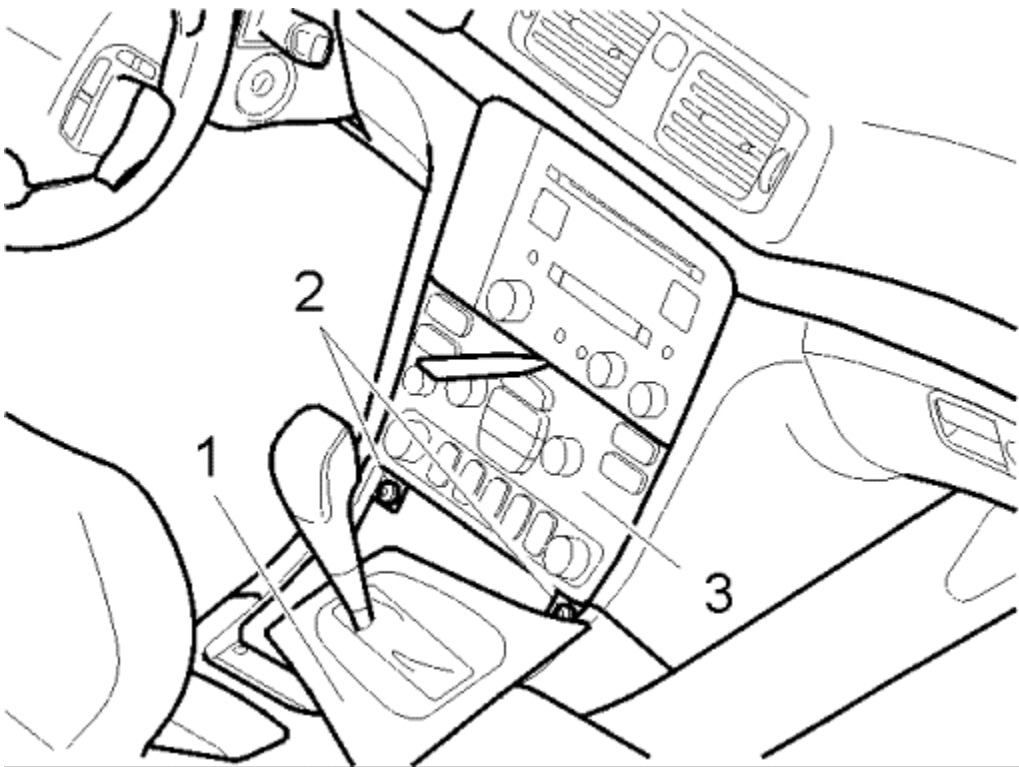


- has a pen holder above the gear selector panel. Remove it.
- Remove the panel (1) above the gear selector:
- Carefully pry off at the back using a weatherstrip tool.

Remove:

- the two screws (2) on the lower edge of the panel

Remove:

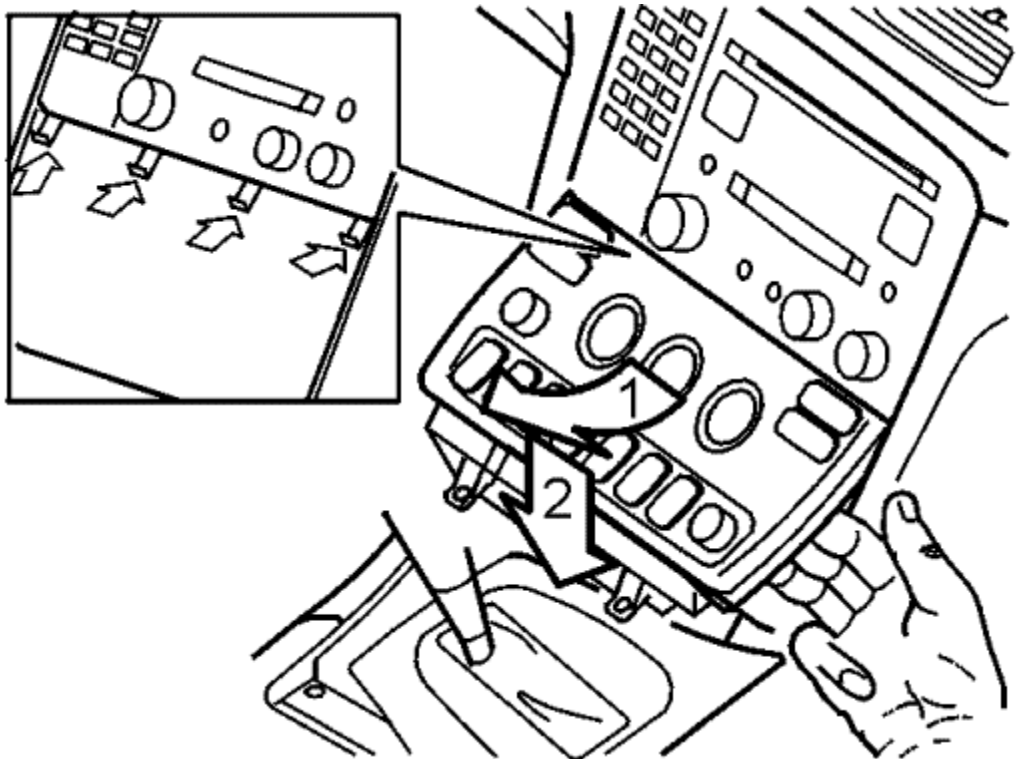


- the two screws (2) on the lower edge of the panel
- the panel (3).

NOTE: The radio component and the dashboard environment panel are complementary and are mounted at the join with hooked mountings.

HINT: To facilitate removal: Angle the dashboard environment

panel outwards so that it is possible to insert a couple of fingers between the center console and the dashboard environment panel.



Pull the dashboard environment panel downwards at the same angle.

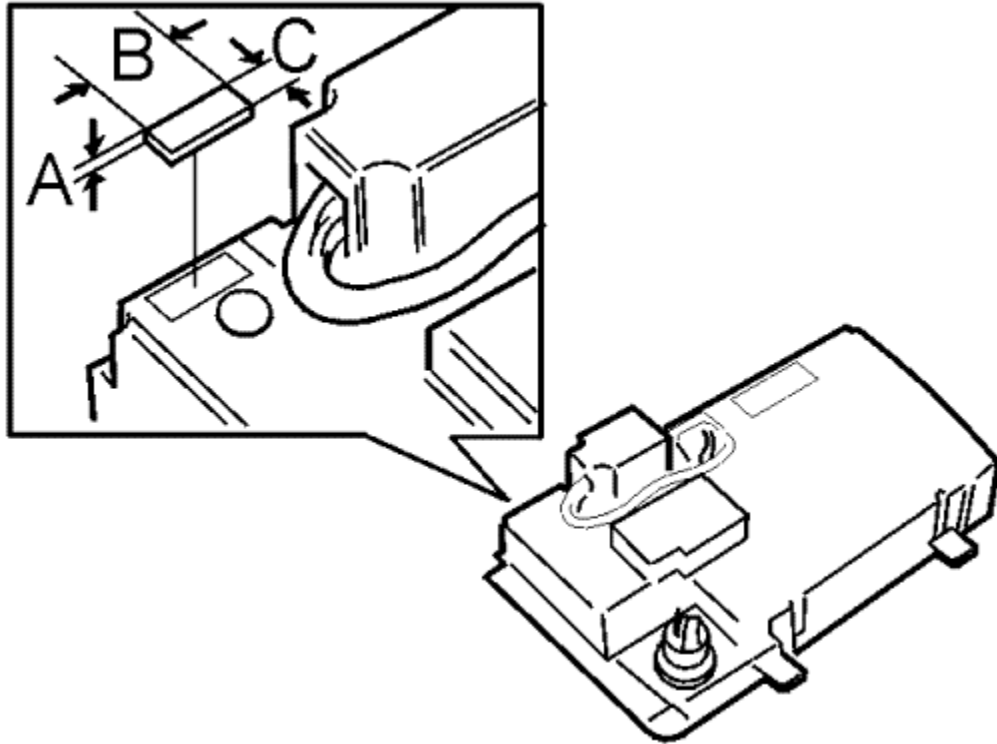
HINT: The dashboard environment panel is correctly secured. Force is required to remove it.

- connectors.

Lift out the panel.

Install:

In reverse order.



NOTE: If any of the outer hooks break off, this must be rectified.

Tape the 3.5 mm thick component measuring 20 X 20 mm to the reverse of the dashboard environment panel. Use double-sided adhesive tape.

Fix the other side of the piece with double-sided adhesive tape so that there is a solid anchorage when reinstalling against the center console.

AUTO & TRUCK ELECTRONICS

WWW.AUTOECU.COM

1-866-983-6688

