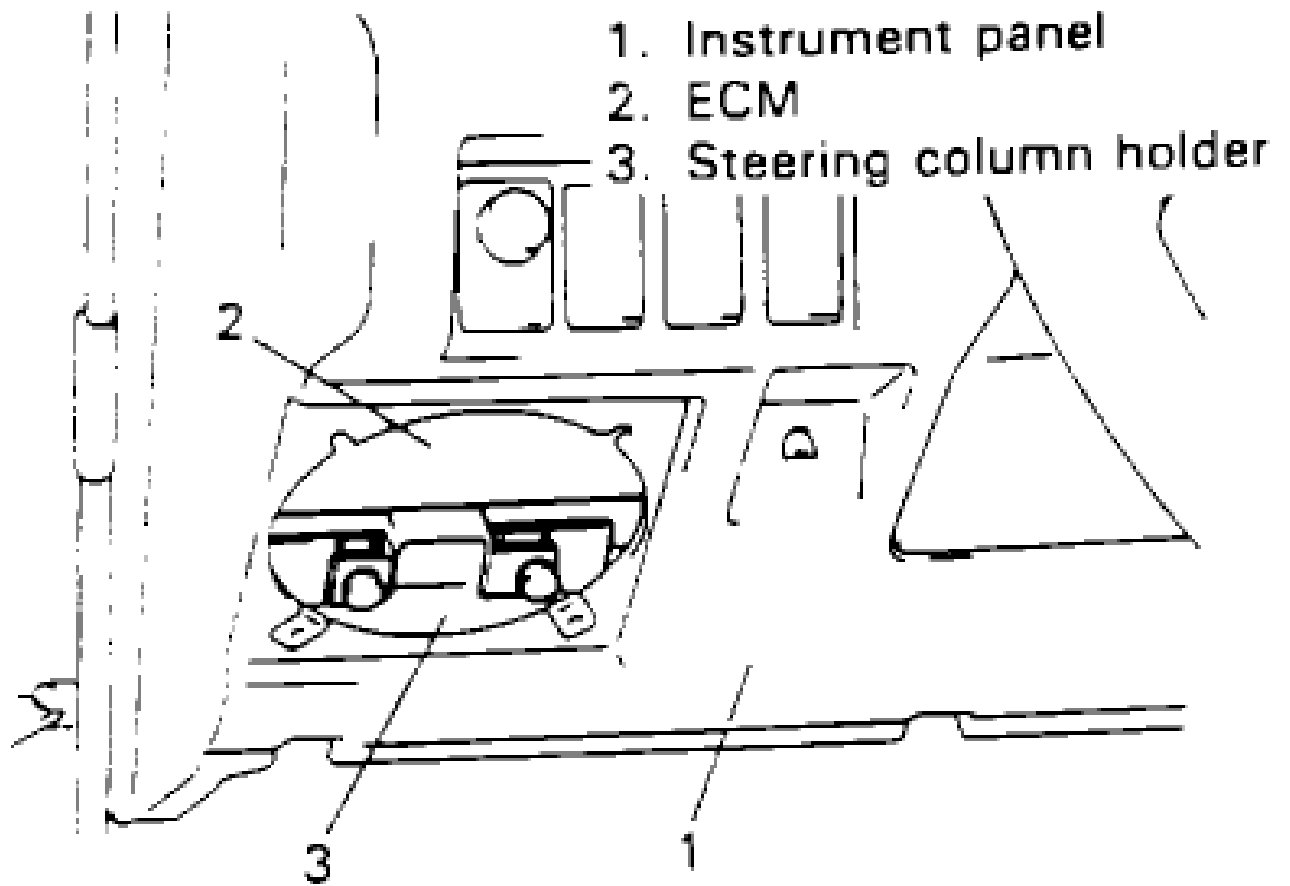
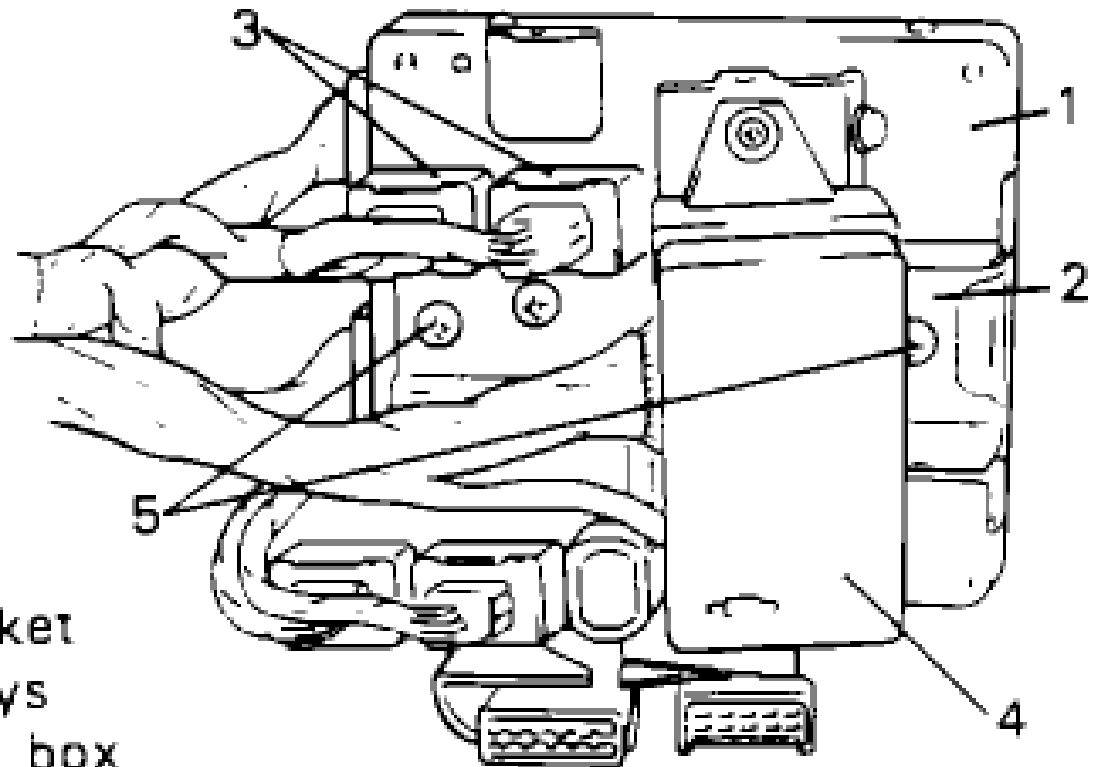


SUZUKI SIDEKICK ECU REMOVAL INSTRUCTIONS





1. ECM
 2. Bracket
 3. Relays
 4. Fuse box
 5. ECM screws
-

REMOVAL

- Disconnect battery negative cable from battery.
- Remove radio speaker cover (driver's seat side).
- Remove radio speaker (driver's seat side), if equipped.
- Remove ECM with its bracket, fuse box and relays from steering column holder.
- Disconnect couplers from ECM, and remove ECM from its bracket.

INSTALLATION

- Reverse removal procedure.

LOCATION OF ECU- Behind L.H. side of dash

A.SI. 1-866-983-6688 www.autoecu.com