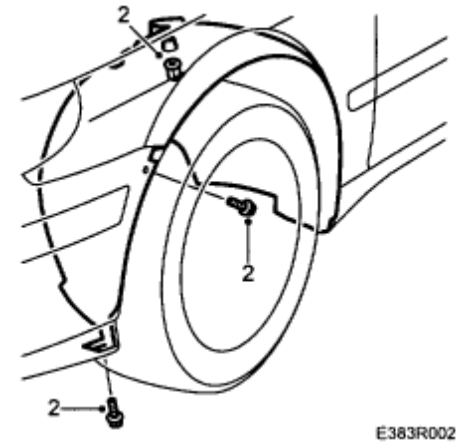


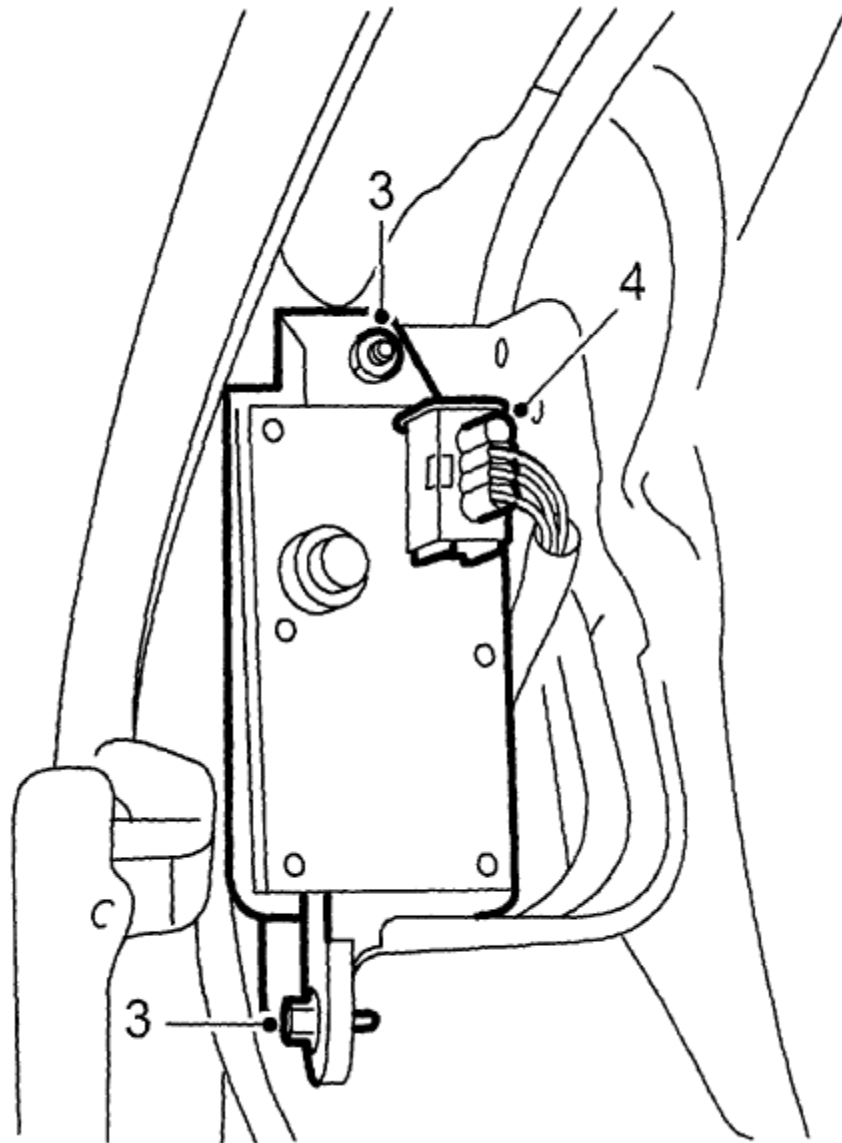
SAAB 95 ANTI-THEFT SIREN REMOVAL INSTRUCTIONS

Siren

1. Raise the car and remove the left front wheel



Remove the front portion of the wing liner in the LH front wheel housing.

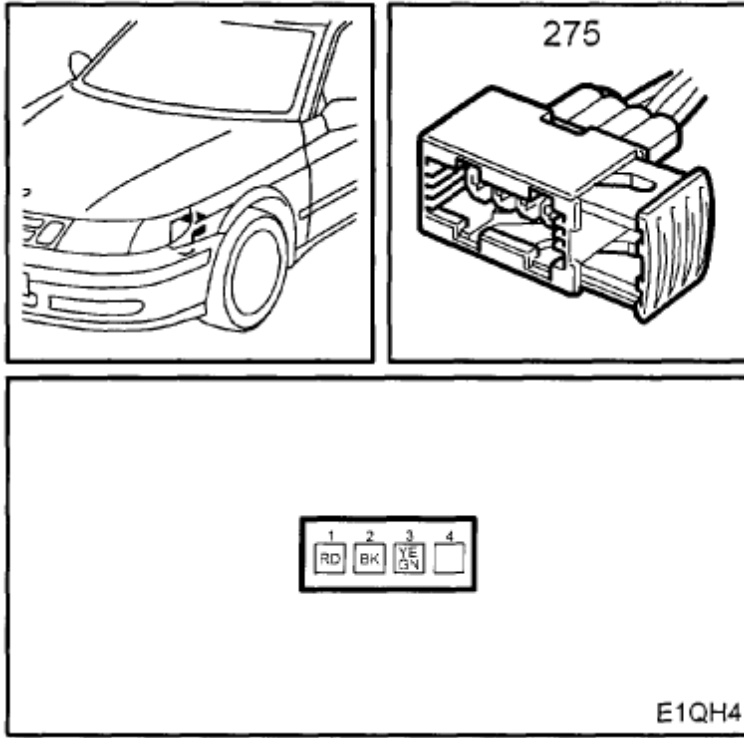


E383R003

PULL SLIDE TO REMOVE HARNESS PLUG

RELEASE 1 NUT AND 1 SCREW HOLDING THE SIREN

REVERSE TO INSTALL.



ASI

WWW.AUTOECU.COM

1-866-983-6688