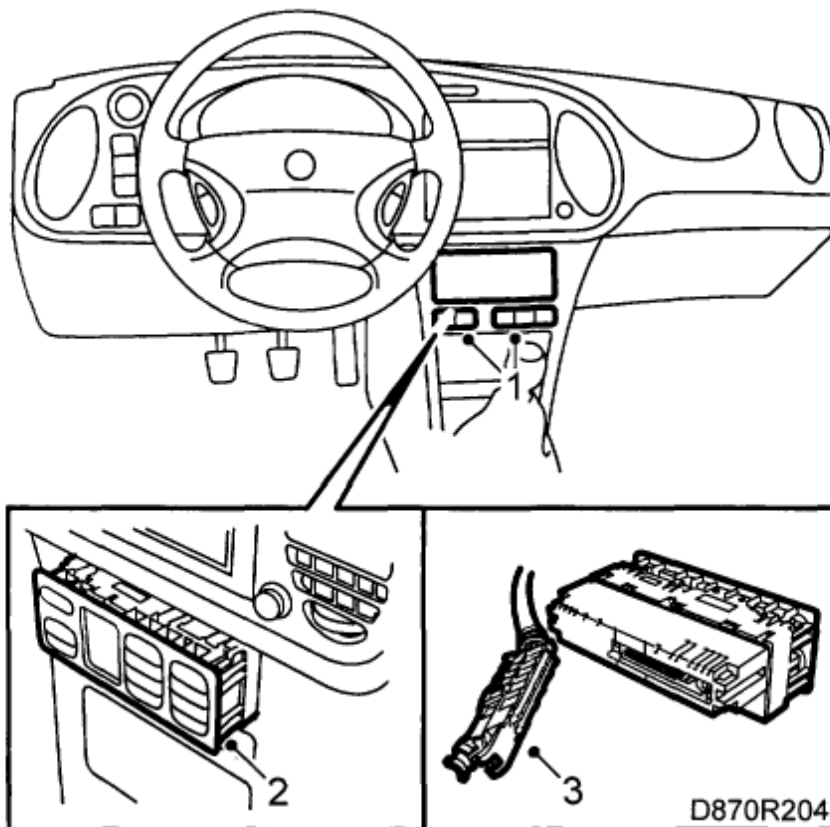


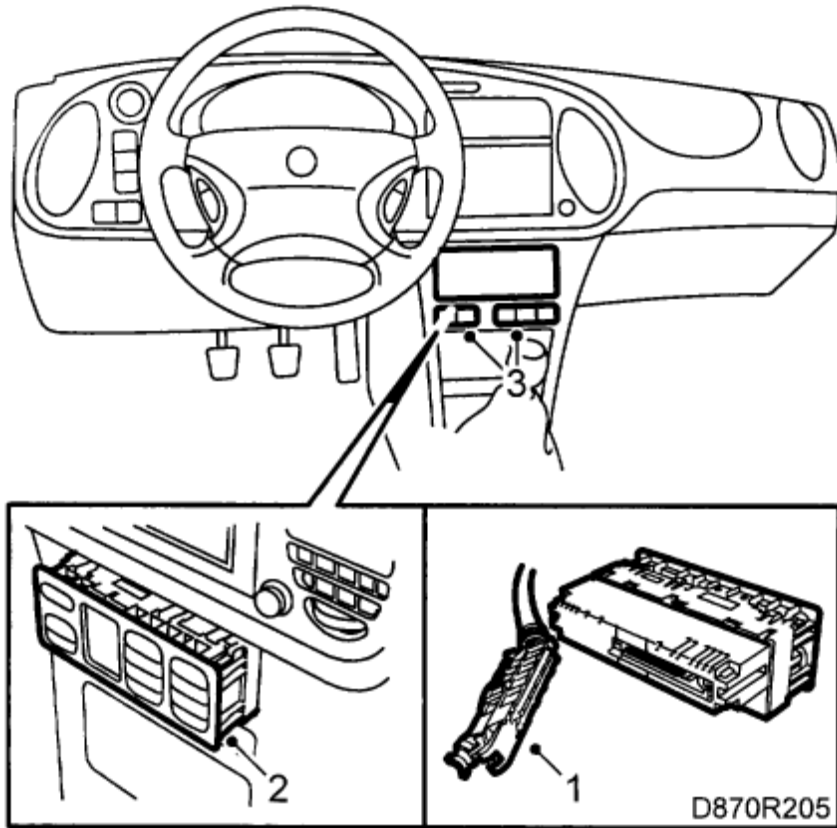
1999 TO 2003 SAAB 9-3 CLIMATE CONTROLLER REMOVAL



REMOVAL

1. Remove the two outer buttons under the ACC panel.
2. Push out the ACC unit from behind.
3. Unplug the connector.

FITTING



1. Plug in the connector.
2. Fit the [control module](#).
3. Refit both buttons under the ACC panel.
4. Calibrate the ACC-system by simultaneously pressing the buttons "AUTO" and "OFF". **IMPORTANT** : All previous diagnostic trouble codes are erased when calibrating .