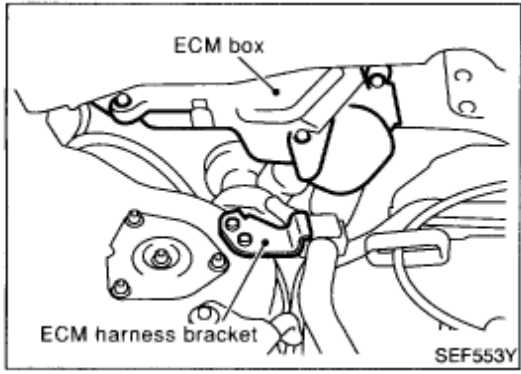
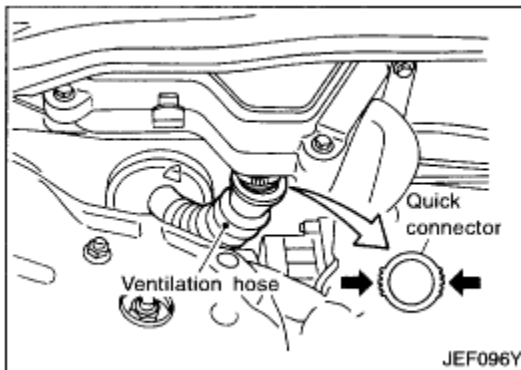


## NISSAN SENTRA ECU REMOVAL AND LOCATION

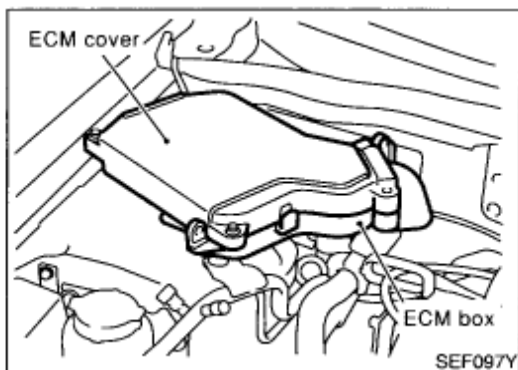
1. ECM is located in the right side of the cowl top (behind the strut tower). For this inspection:

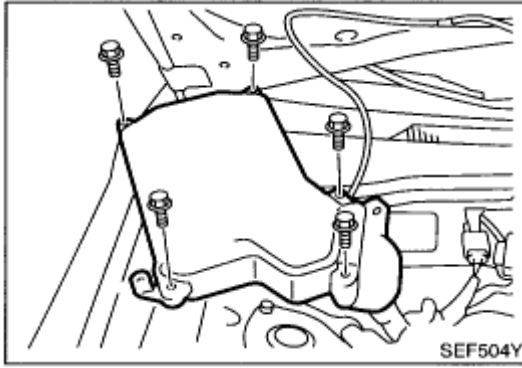


Remove engine control harness bracket on the strut tower.

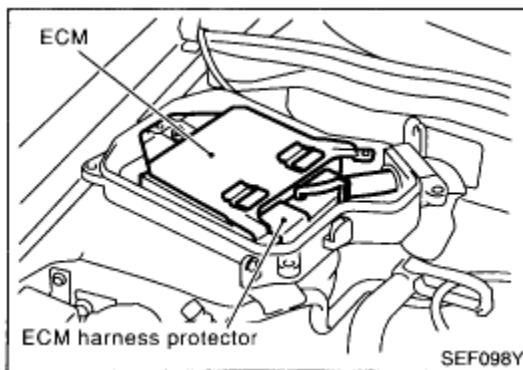


- Remove quick connector on the ventilation hose.
- Remove ECM fixing bolts and pull ECM out all the way.





Remove ECM cover fixing bolts



- Remove ECM fixing bolts.
- Remove ECM with the harness from the cover

A.S.I. / A.T.E.

1-866-983-6688

[www.autoecu.com](http://www.autoecu.com)