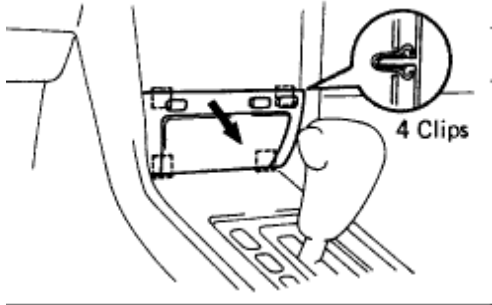
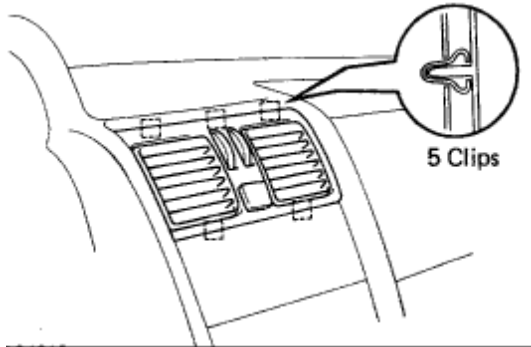


LEXUS LS 400 CLIMATE CONTROLLER REMOVAL

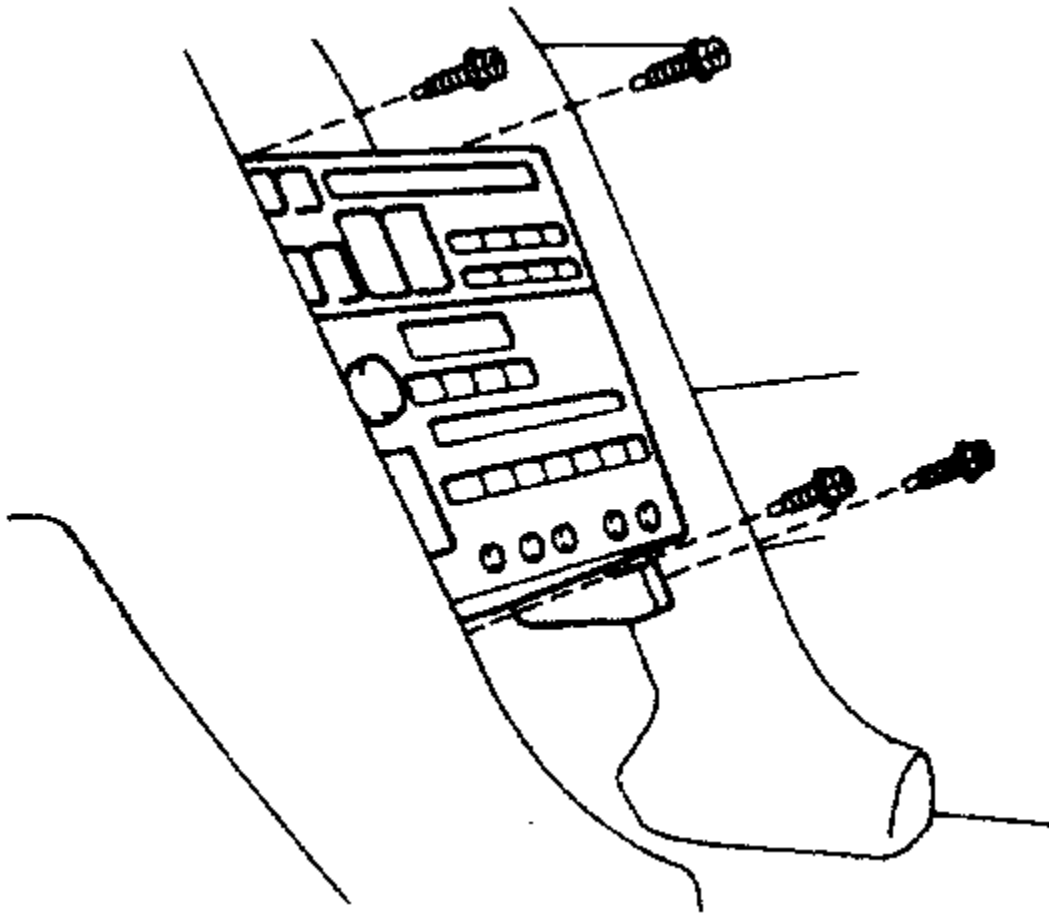
REMOVE RADIO AND A/C CONTROL ASSEMBLY



1. Remove upper console panel
 - a. Pry out the rear side of the panel.
 - b. Pull the panel backwards to remove it.
2. Remove front ash receptacle. Note: Perform this operation only with the ash receptacle fully closed.
 - a. Pull the front ash receptacle.
 - b. Disconnect the connector.



Remove #2 register

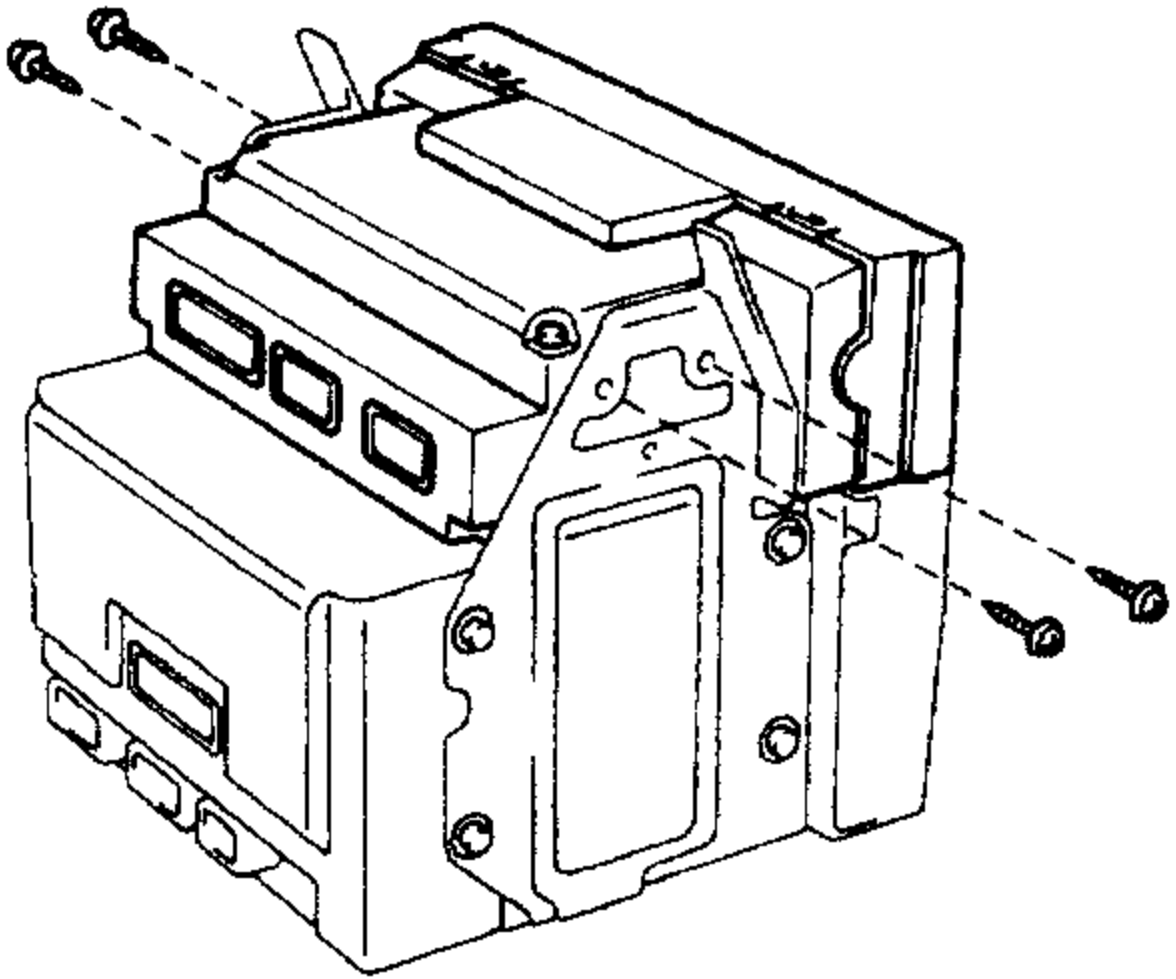


a. Using a screwdriver, remove the register. Note: Tape the screwdriver tip before use.

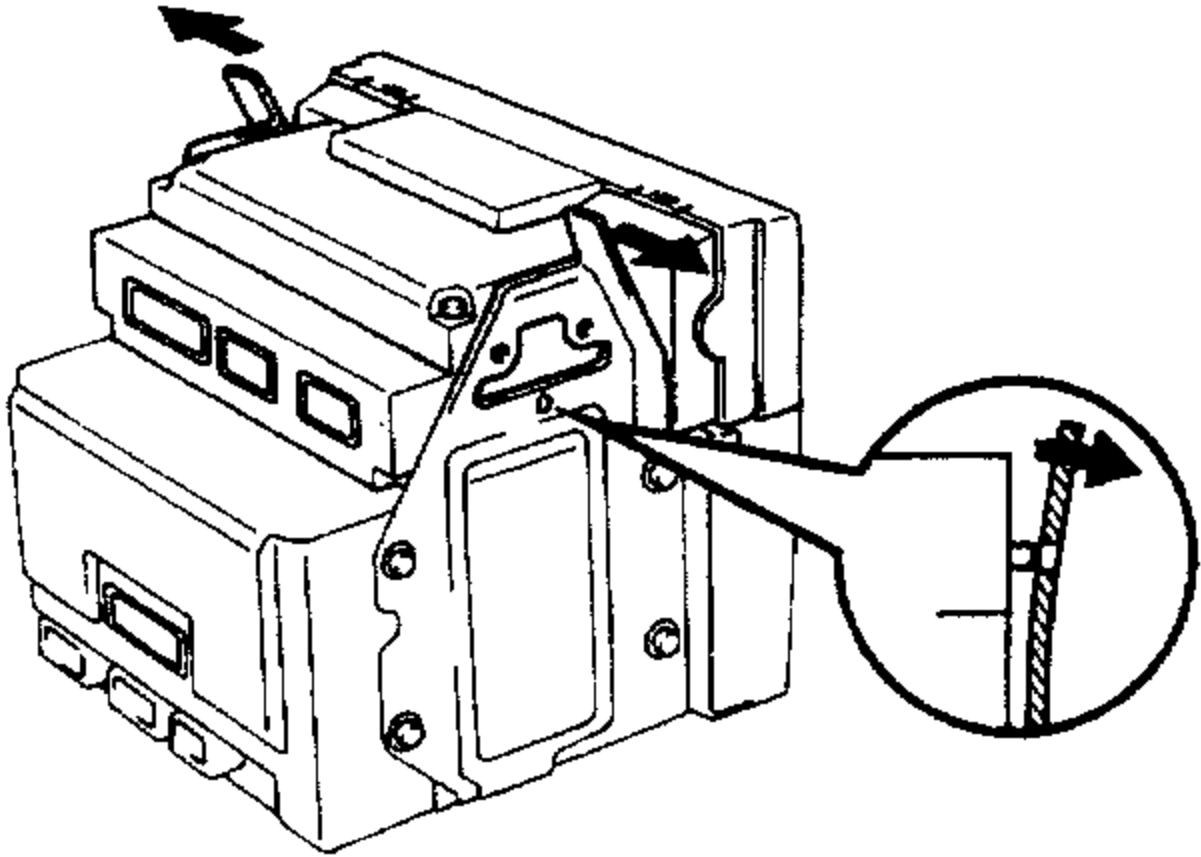
4. remove radio with a/c control assembly

a. Remove four screws and radio with the A/C control assembly.

5. Remove air conditioner control assembly from radio



Remove the four screws



Open the brackets on the outside, release the connection of the claws and remove the air conditioner control assembly

A S I

www.autoecu.com

1-866-983-6688