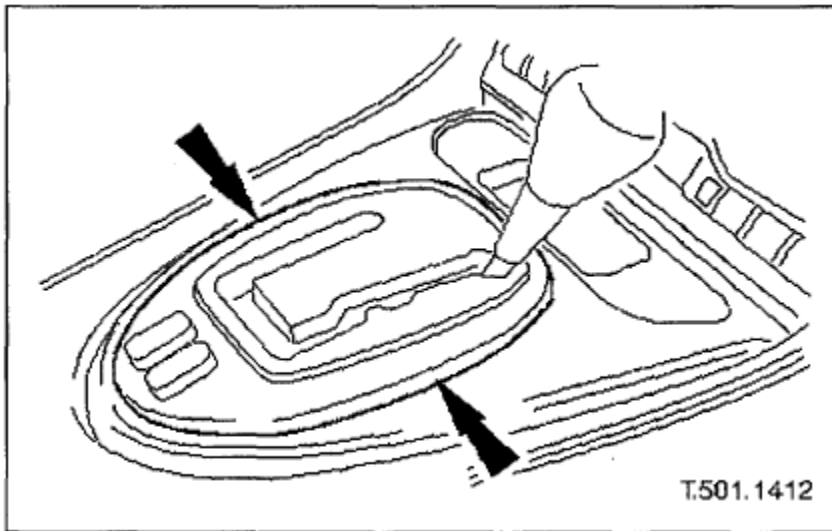


# JAGUAR XK8 AND XJ8 CLIMATE CONTROLLER REMOVAL

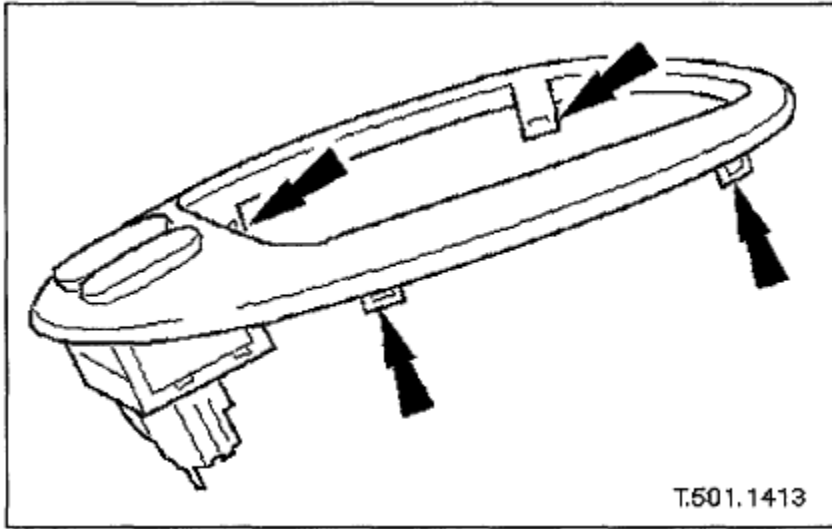
1997 to 2006 / 1998 to 2003

## Center Console 'J' Gate Trim REMOVAL

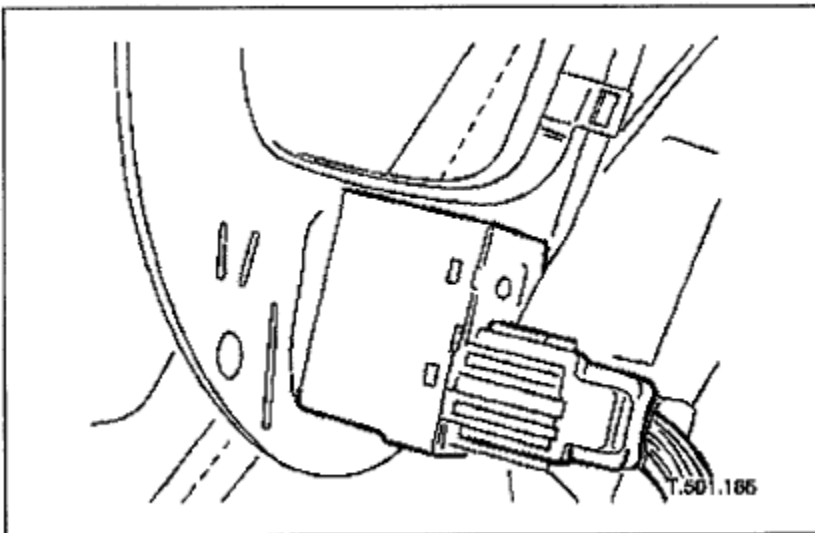
Remove battery cover and disconnect ground cable from battery terminal



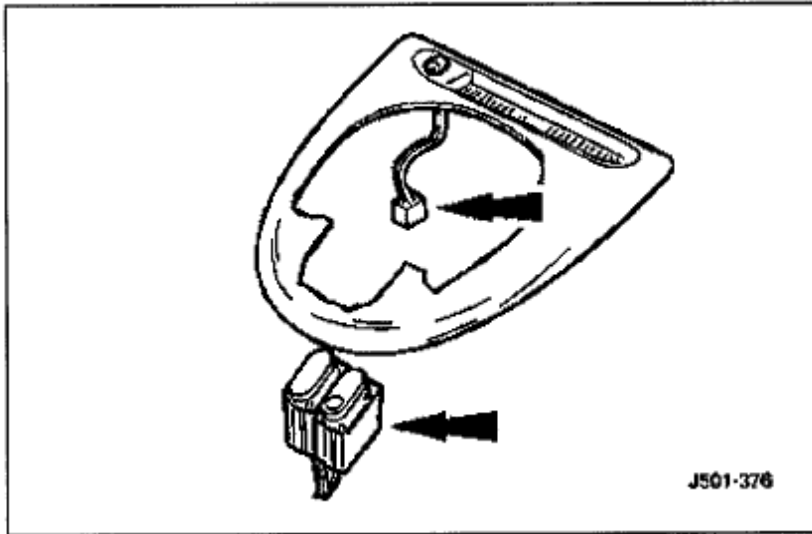
2. Apply protective tape to veneer panel along each side of surround.



3. Using a thin plastic lever and exercising care to avoid damaging veneer surface, release the four surround tangs from the 'J' gate.



**Disconnect multiplugs from Sport mode and Cruise Control on/off switches.**



5. Noting orientation of switches, depress tangs and remove switches from surround.

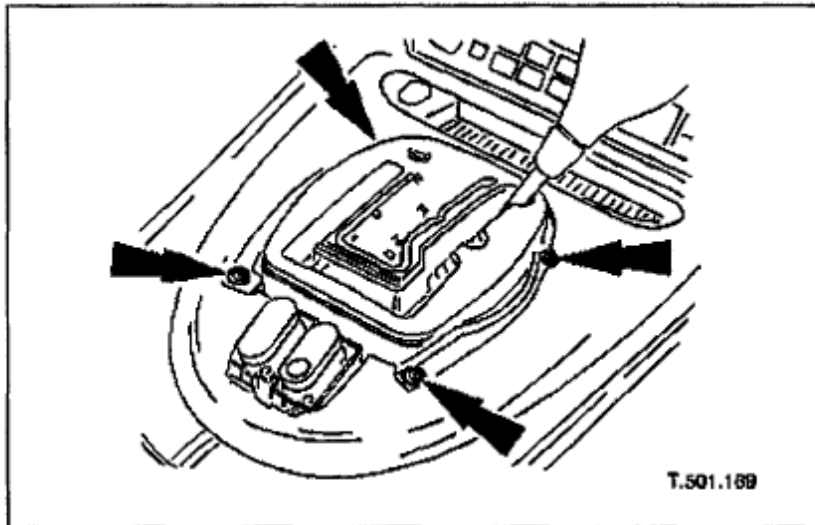
### Installation

1. Ensuring correct orientation, fit and fully seat Sport mode and Cruise Control on/off switches in surround.
  2. Position surround for access and connect switch harness multiplugs.
  3. Position surround over 'J gate and press firmly to fully seat tangs.
  4. Remove protective tape from veneer panel.
- 

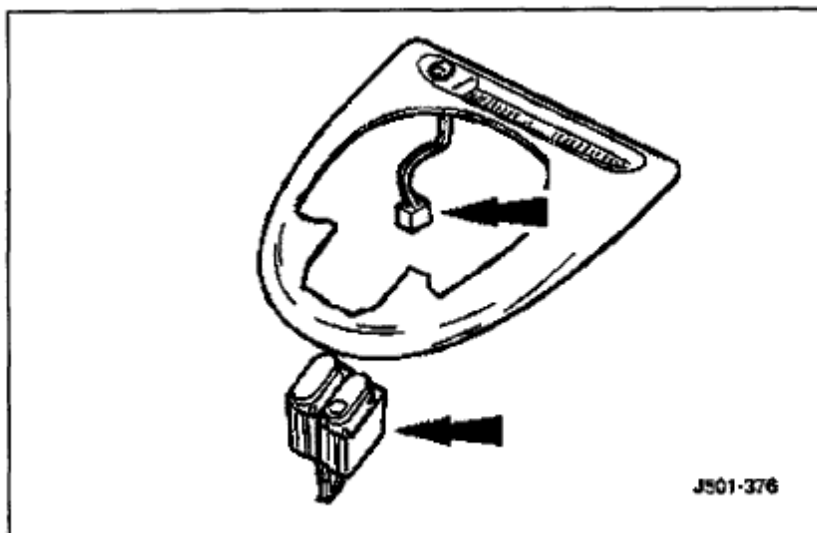
### REMOVING Center Console

1. Position gear selector and passenger seat for access. Turn ignition key to position II. Apply footbrake and move gear selector to 'D'. Release footbrake. Power passenger seat to

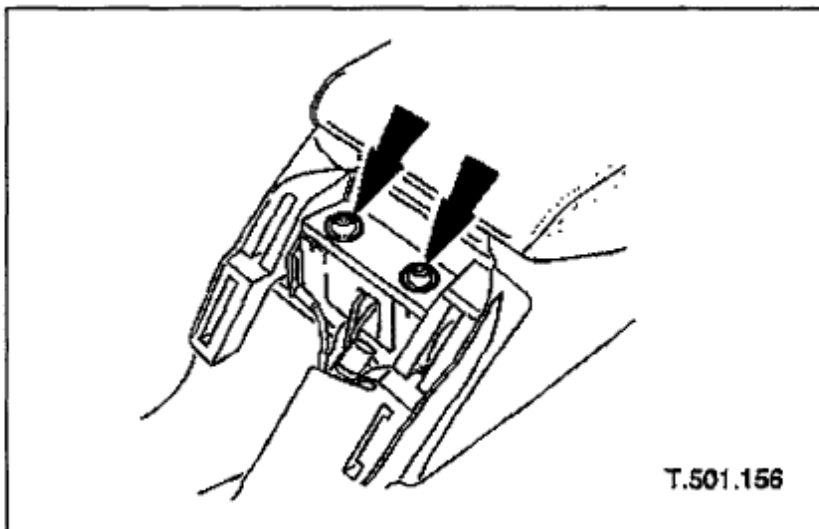
fully forward position and tilt squab forward. Turn ignition key to O.



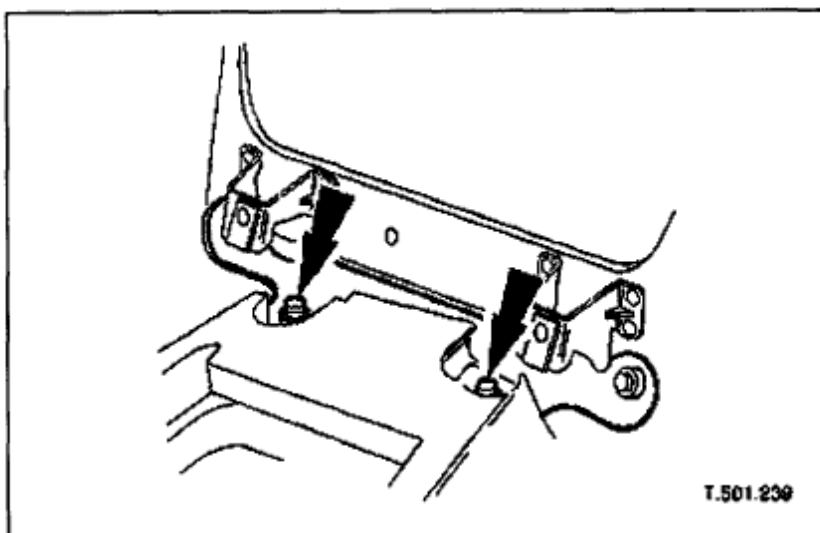
4. Slacken and remove the four center console veneer panel securing screws and remove the mounting plates.



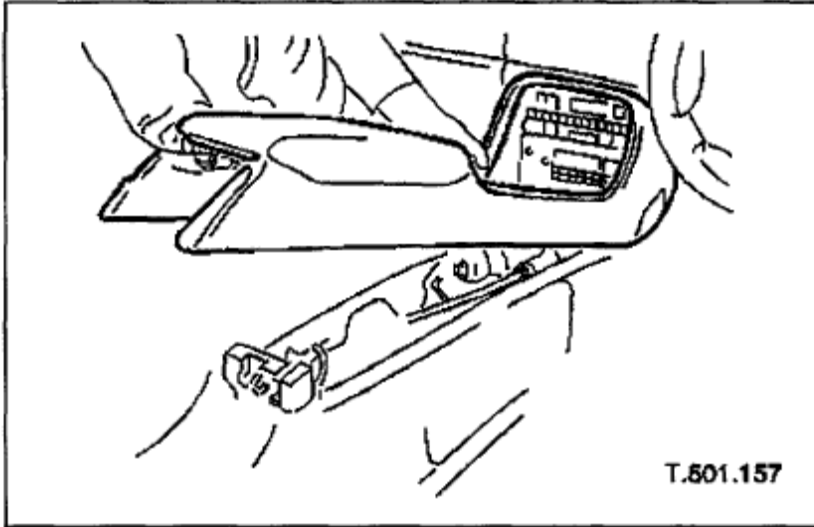
**Position the veneer panel for access and disconnect the panel switch multiplugs**



**Remove console and trim cover and slacken and remove the two rear securing bolts**



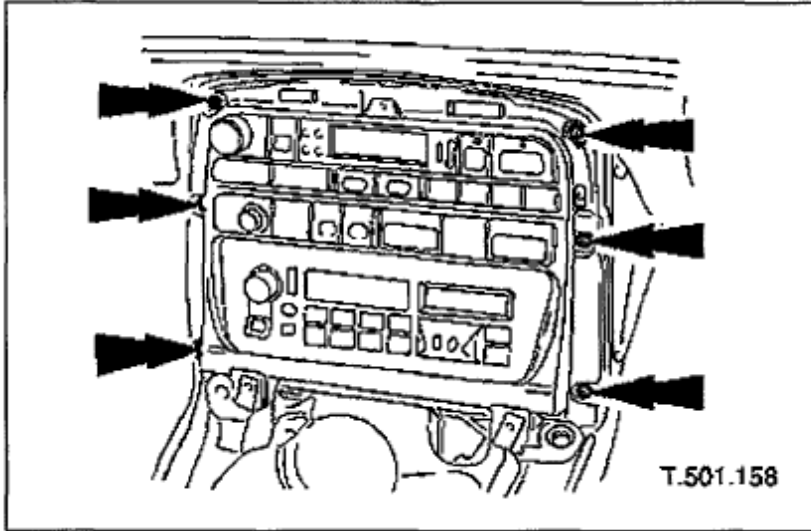
7. **Slacken and remove the two forward securing bolts.**



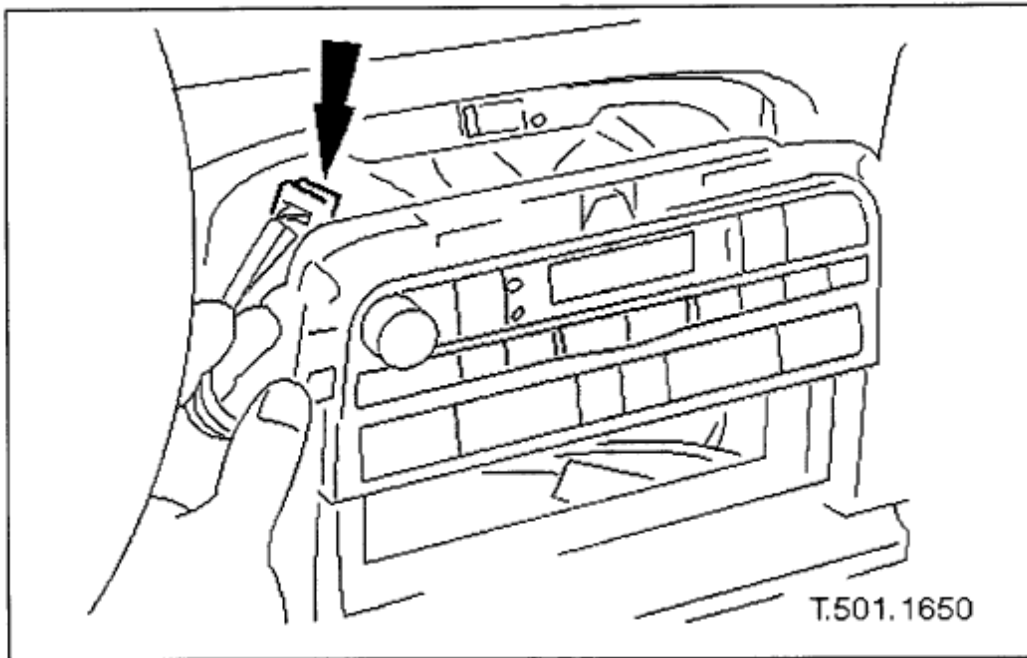
8. **Position console for access, disconnect cigar lighter and valet switch harness multiplugs, lift console clear of 'J' gate and remove from vehicle.**

### **Installation**

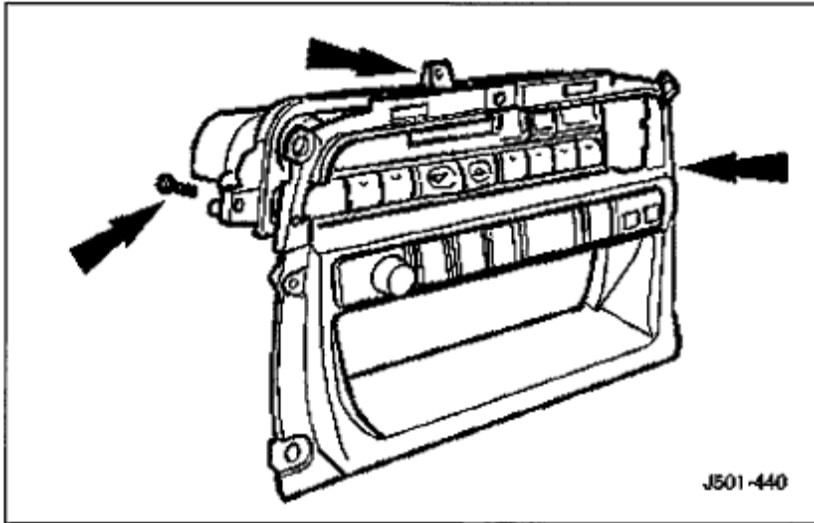
1. **Install and connect center console. Position console for access. Connect valet switch and cigar lighter harness multiplugs. Finally position console. Fit and tighten forward securing bolts. Fit and tighten rear securing bolts. Fit and fully seat console rear trim cover. Position veneer panel for access and connect panel switch harness multiplugs. Reposition and seat veneer panel. Align and fit panel mounting brackets. Fit and tighten panel securing screws. Fit 'J' gate surround**



**Remove radio console securing screws and position console for access**



**Disconnect air conditioning control module harness multiplug and cut and remove securing tiestrap**



6. Remove remaining switch control module central securing screw and withdraw module from vehicle.

### Installation

1. Position air conditioning switch control module on radio console and install module-securing screws.
2. Connect switch control module harness multiplug.
3. Install new harness securing tie strap.
4. Position radio and install console-securing screws.
5. Install center console.
6. Install 'J' gate surround.
7. Connect ground cable to battery terminal and install battery cover.

**AUTO & TRUCK ELECTRONICS** [www.autoecu.com](http://www.autoecu.com) 1-866-983-6688