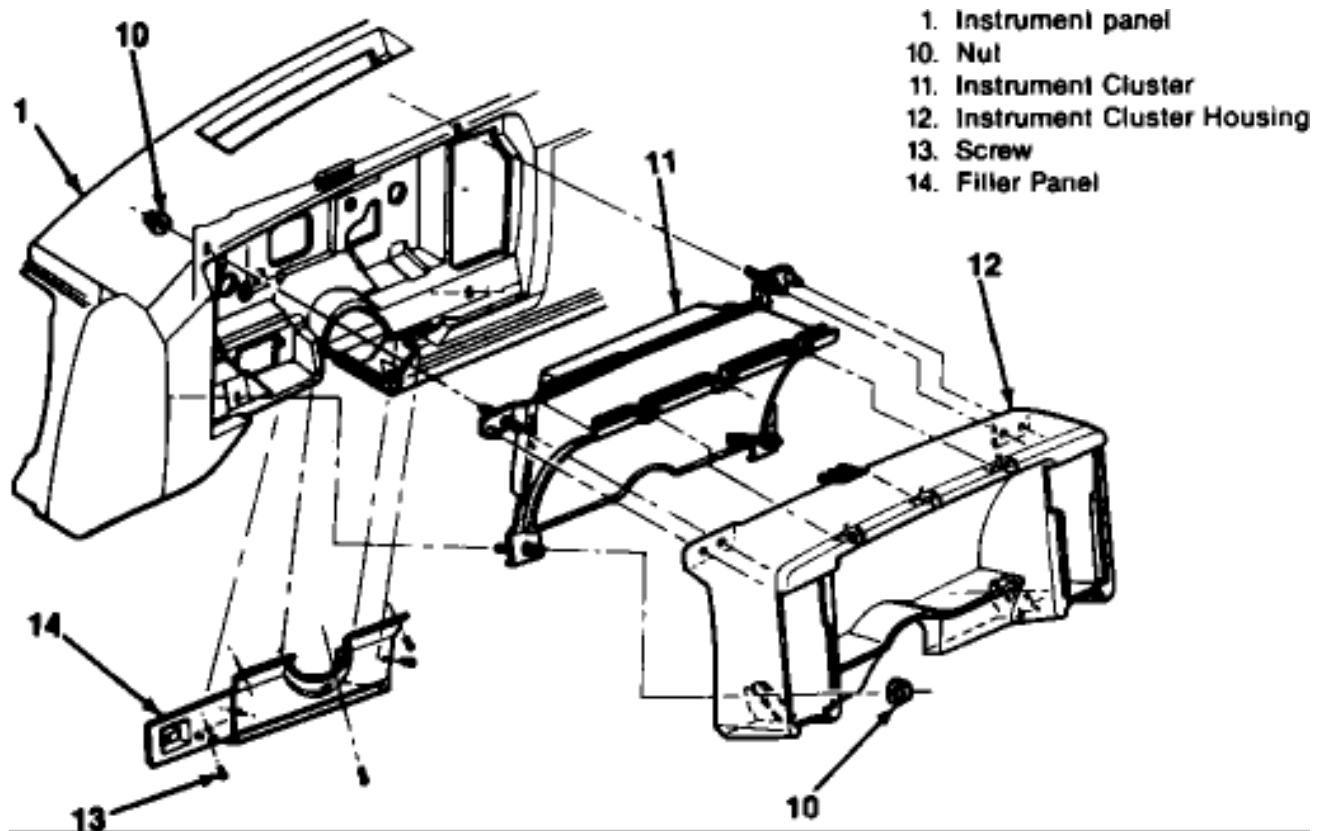


S10 BRAVADA INSTRUMENT CLUSTER REMOVAL INSTRUCTIONS



1. Disconnect battery ground cable.
2. Remove headlamp switch assembly as previously described.
3. Remove A/C and heater control assembly retaining screws, then disconnect electrical connectors and remove control assembly from dash panel.
4. Remove filler panel retaining screws then the panel, Fig. 7.
5. Remove instrument cluster housing retaining nuts then the housing.
6. Remove instrument cluster retaining nuts.
7. Disconnect speedometer cable and electrical connectors from instrument cluster, then remove cluster from vehicle.
8. Reverse procedure to install.

ASI 1-866-983-6688 www.autoecu.com