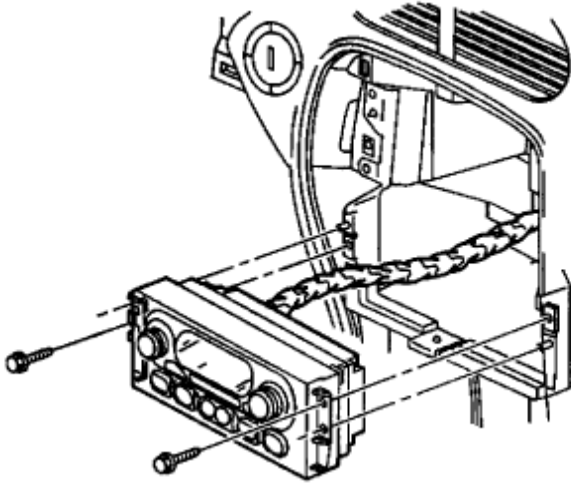
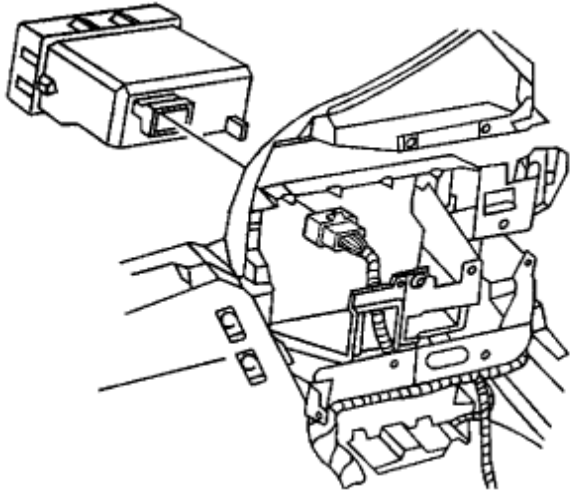


OLDSMOBILE INTRUGUE CLIMATE CONTROLLER

REMOVAL PROCEDURE

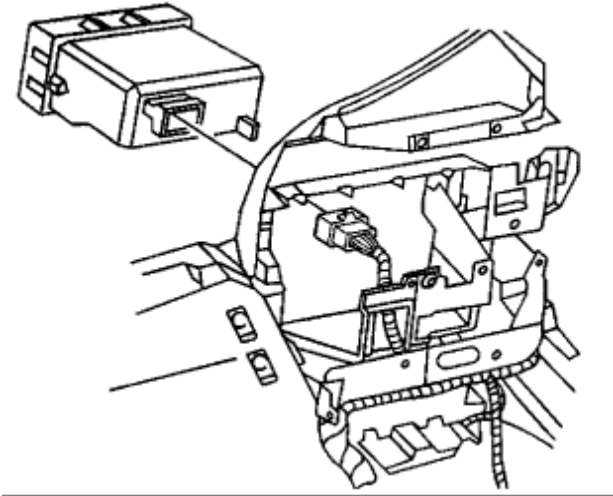


1. Remove the instrument panel accessory trim plate.
2. Remove the bolts from the HVAC control assembly.

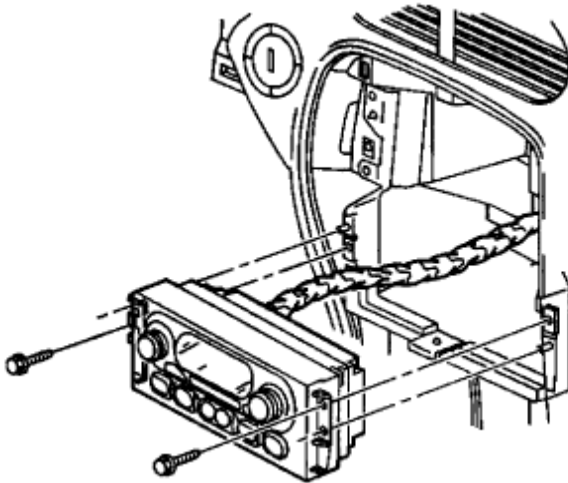


3. Disconnect the electrical connector from the HVAC control assembly.
4. Remove the HVAC control assembly from the instrument panel.

INSTALLATION PROCEDURE



1. Connect the electrical connectors to the HVAC control assembly.



2. Install the HVAC control assembly to the instrument panel. **NOTE:** Refer to Fastener Notice in Service Precautions.
3. Install the bolts to the HVAC control assembly. **Tighten** Tighten the HVAC control assembly bolts to **2 N.m (18 lb ft)** .
4. Install the instrument panel accessory trim plate.