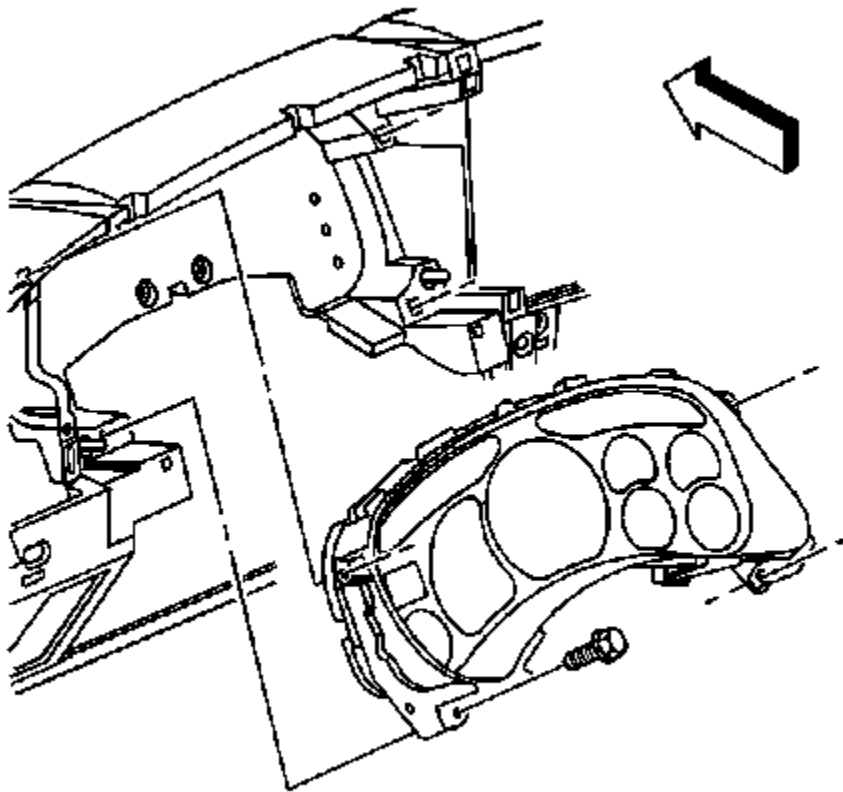


(IPC) CHEVY GMC SUV TRUCK INSTRUMENT PANEL REMOVAL

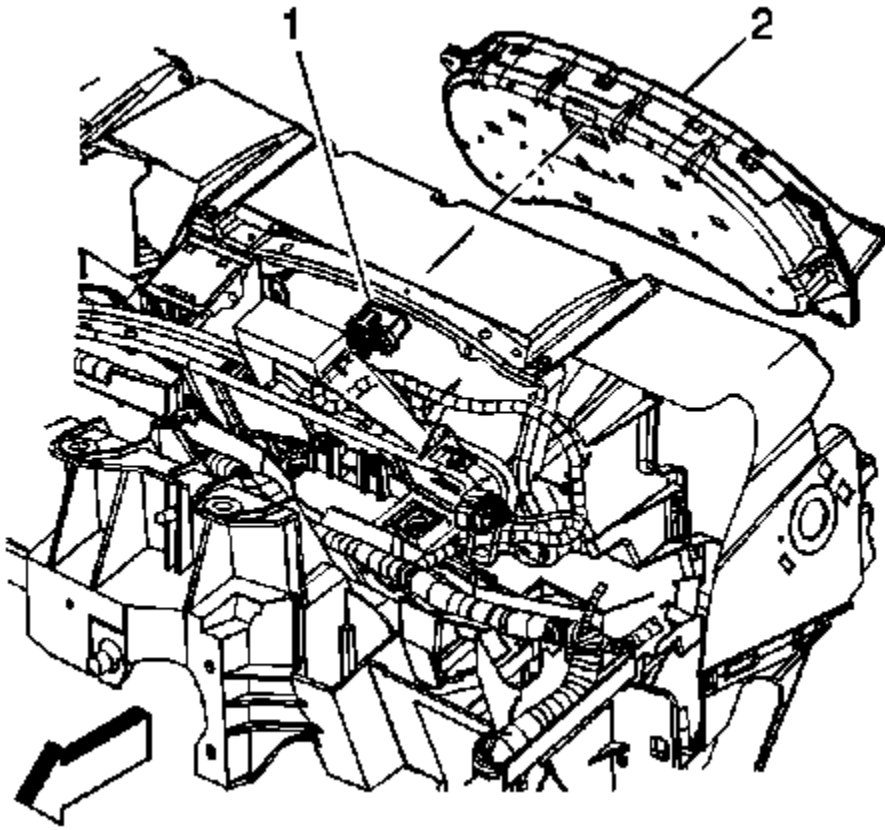
INSTRUMENT PANEL CLUSTER (IPC) REPLACEMENT

REMOVAL PROCEDURE

1. Remove the instrument panel cluster (IPC) trim plate bezel.

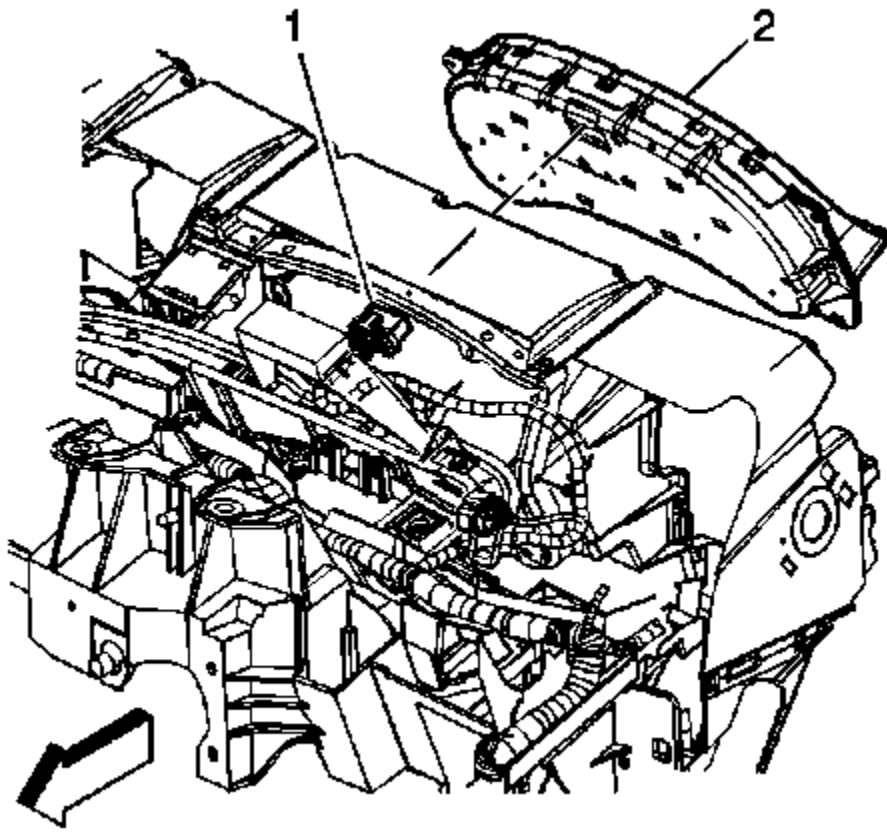


Remove the screws that retain the IPC to the instrument panel (I/P) assembly

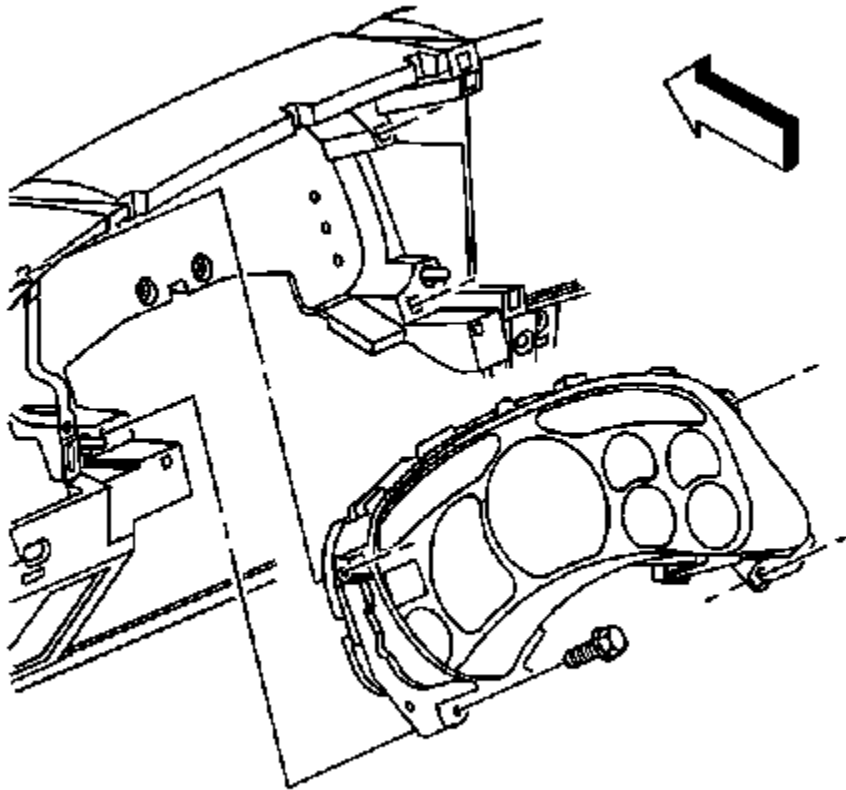


3. Remove the IPC (2) from the vehicle by tilting the bottom of the cluster outward.
4. Disconnect the IPC harness (1) from the IPC.

INSTALLATION PROCEDURE



1. Connect the IPC harness (1) to the IPC (2).



2. Install the IPC onto the I/P with the screws. Tilt the top of the cluster into the retainer first to avoid damaging the flexible circuit connections.
3. Install the screws that retain the IPC to the I/P assembly

A S I

1-866-983-6688

WWW.AUTOECU.COM