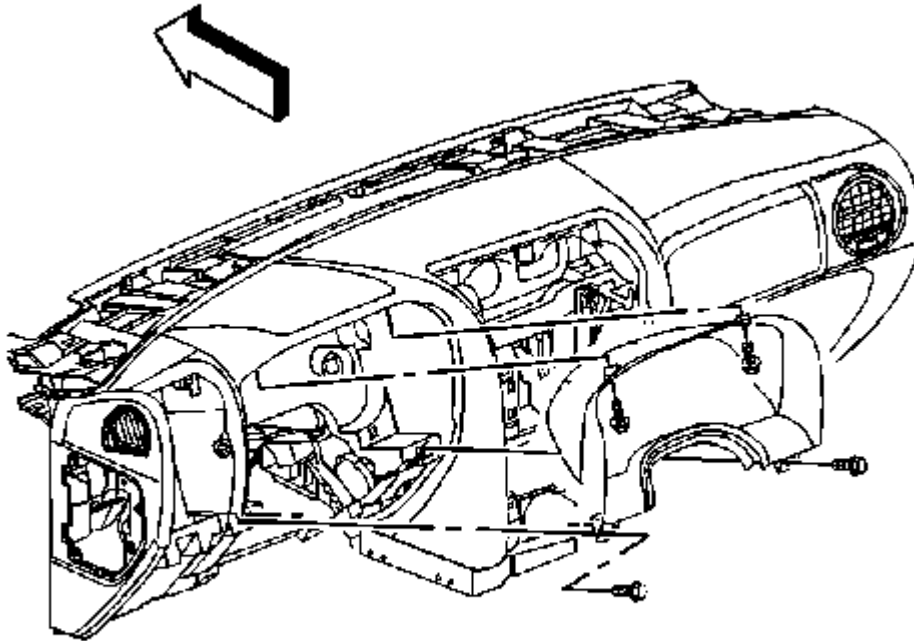


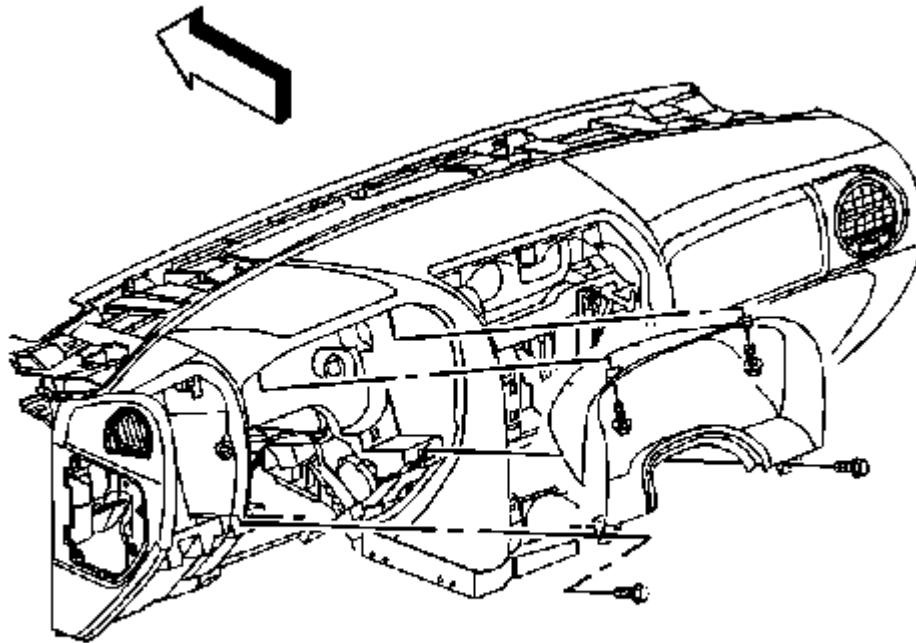
GMC ENVOY BEZEL REMOVAL

Removal Procedure

1. Tilt the steering wheel to the full down position.
2. Remove the left closeout/insulator panel.
3. Remove the knee bolster trim panel



4. Remove the screws that retain the bezel to the instrument panel.
5. Remove the bezel from the instrument panel.



1. Install the bezel to the instrument panel..
2. Install the screws that retain the bezel to the instrument panel.
3. Install the knee bolster trim panel.
4. Install the left closeout/insulator panel.

A.S.I. www.autoecu.com

1-866-983-6688