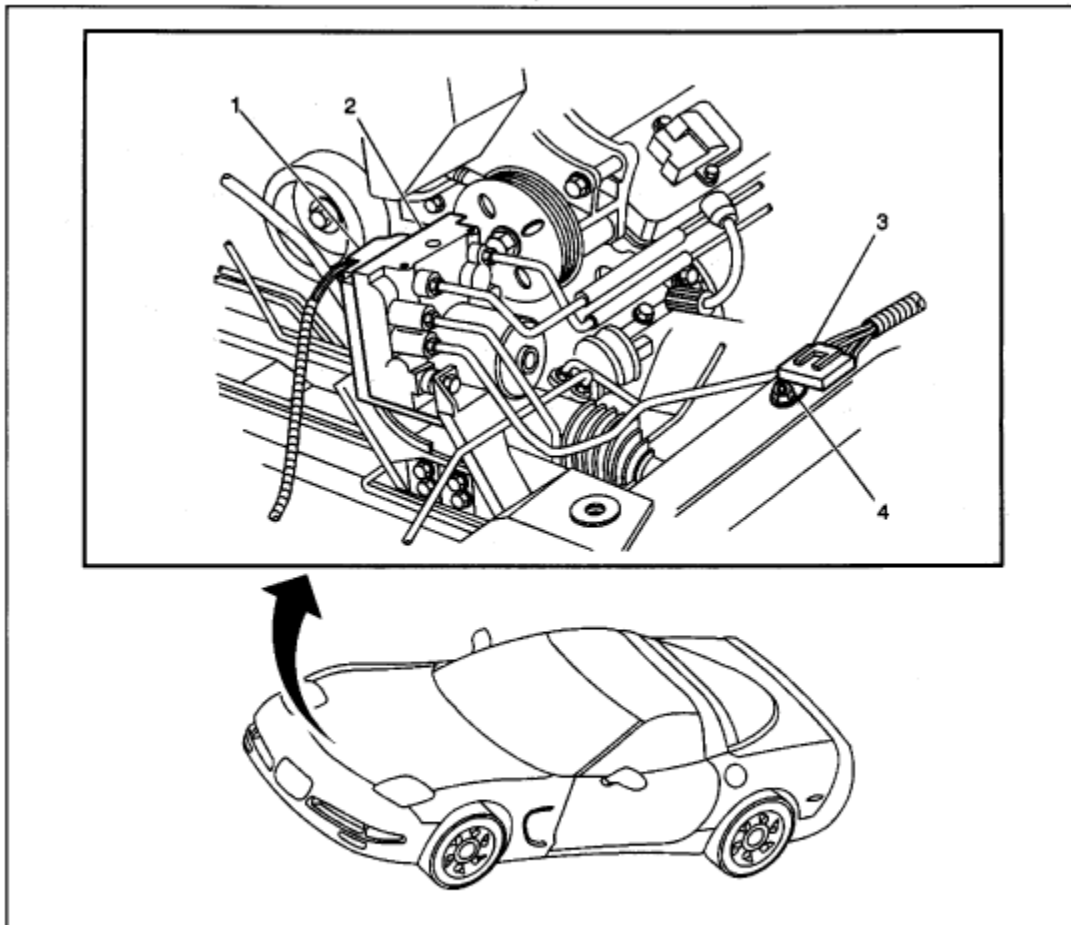


CORVETTE ABS REMOVAL INSTRUCTIONS

Left Front of Engine Compartment



Legend

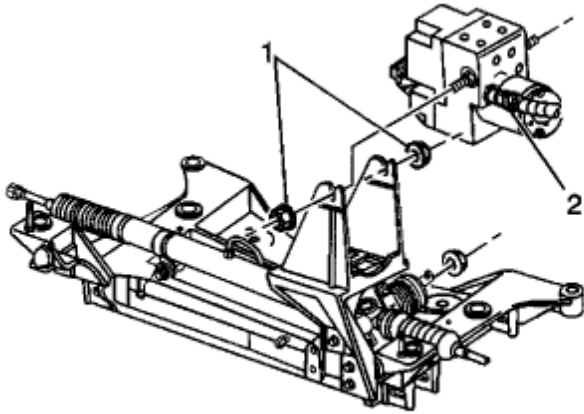
(1) Electronic Brake Control Module (EBCM)
(2) Brake Pressure Modulator Valve (BPMV)

(3) SP101
(4) G101

Electronic Brake Control Module (EBCM) Replacement

Removal Procedure

1. Turn the ignition switch to the OFF position.
2. Disconnect the EBCM harness connector.



DO NOT REMOVE THE HYDRAULIC PUMP ASSEMBLY ONLY REMOVE THE EBCM MODULE THAT SITS ON TOP OF THE PUMP ASSEMBLY THIS UNIT IS HELD ON WITH (6) TORX 20 fastener

A.S.I. 1-866-983-6688 /1-423-921-9085 www.autoecu.com