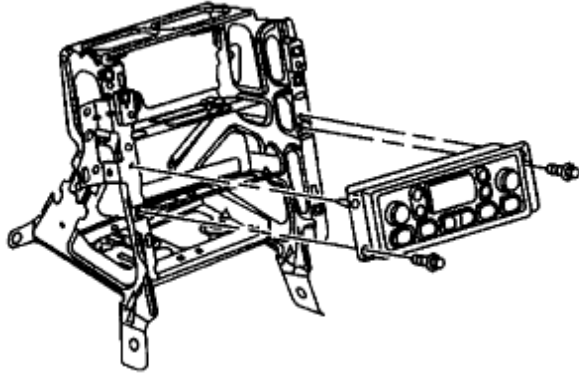
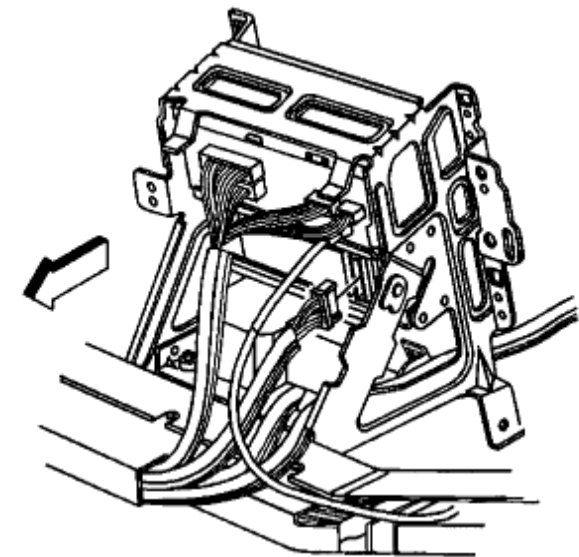


## Corvette climate control removal 2000 through 2004

### REMOVAL PROCEDURE

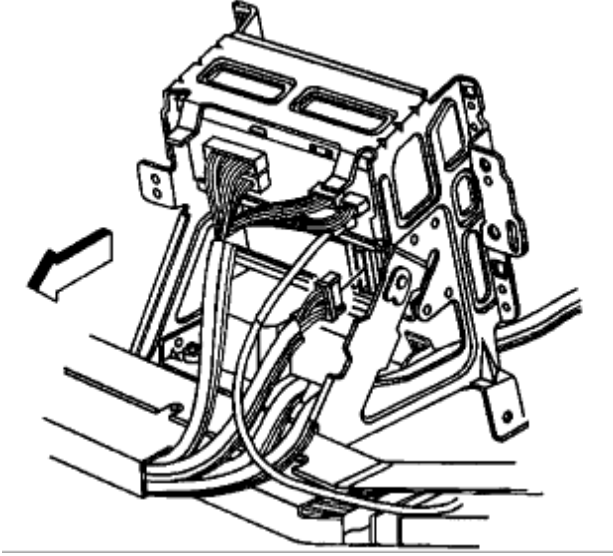


1. Disconnect the negative battery cable.
2. Remove the I/P accessory trim plate.
3. Remove the HVAC control head retaining screws.
4. Pull the control head out from the I/P center support bracket to access the electrical connector

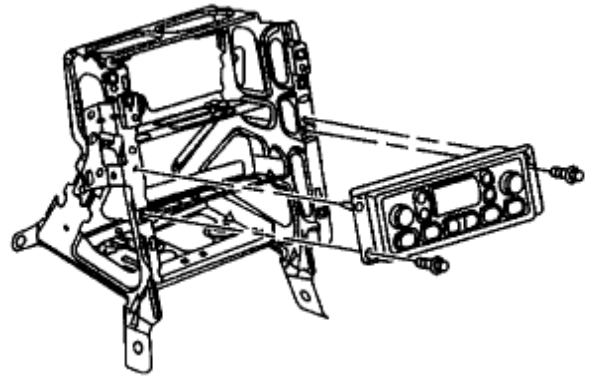


5. Disconnect the electrical connector from the control head.
6. Remove the control head from the vehicle.

### INSTALLATION PROCEDURE



1. Connect the electrical connector to the HVAC control head.



2. Install the control head to the I/P center support bracket. **NOTE:** Refer to Fastener Notice in Service Precautions.
3. Install the HVAC control head retaining screws. **Tighten** Tighten the HVAC control head retaining screws to **1.9 N.m (17 lb in)** .
4. Install the I/P accessory trim plate.
5. Connect the negative battery cable. **Tighten** Tighten the negative battery cable bolt to **15 N.m (11 lb in)** .
6. Program the transmitters. Refer to **Transmitter Programming/Synchronization** in keyless Entry.

