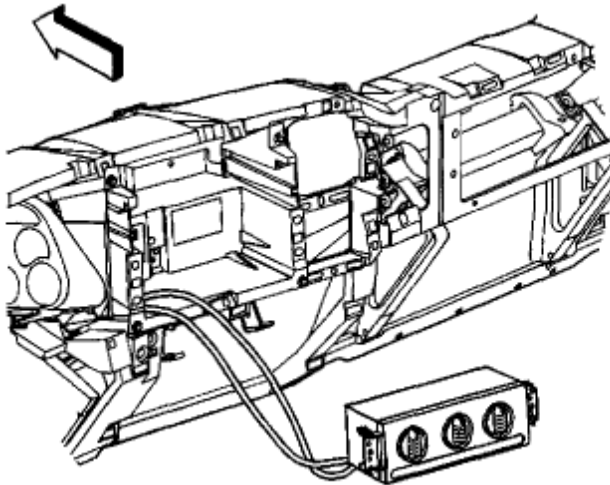
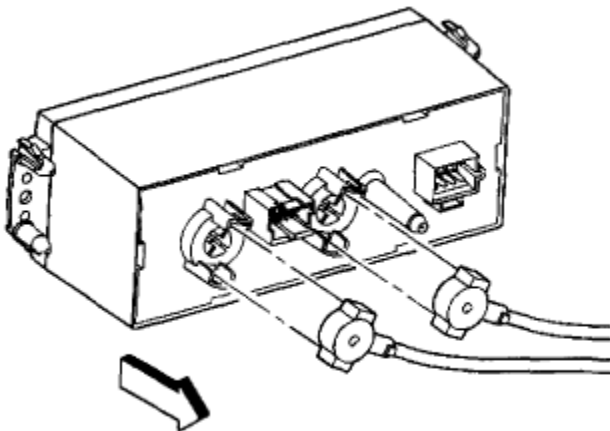


1999 2000 2001 2002 SILVERADO, TAHOE, YUKON SIERA
CLIMATE CONTROLLER REMOVAL INSTRUCTIONS

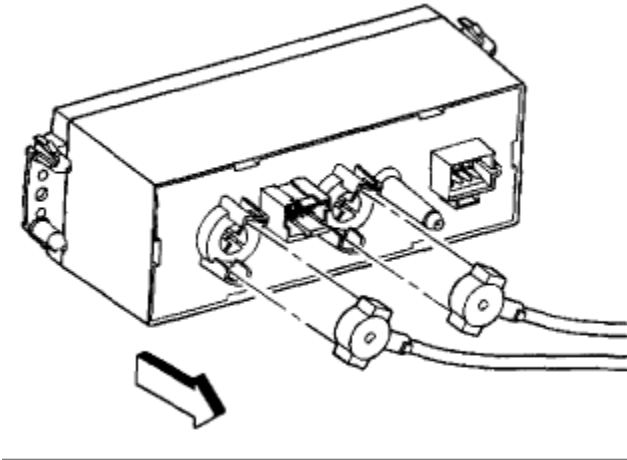


1. Remove the Instrument Panel (**IP**) bezel.
2. Remove the radio.
3. Remove the heater control assembly by firmly depressing and holding the retaining tabs. Slide the assembly forward.

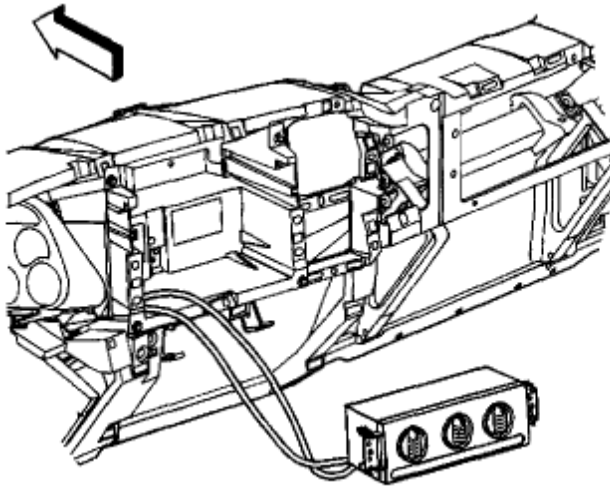


4. Disconnect the temperature and the mode cables from the back of the control assembly.
5. Disconnect the electrical connection from the control assembly.
6. Remove the control assembly.

INSTALLATION PROCEDURE



1. Connect the electrical connection to the control assembly.
2. Connect the temperature and the mode cables to the back of the control assembly.



3. Install the control assembly to the IP carrier until you hear an audible snap.
4. Install the radio.
5. Install the IP bezel.

