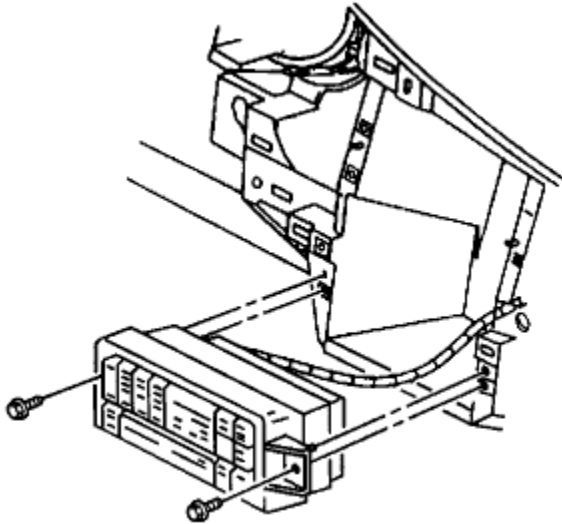
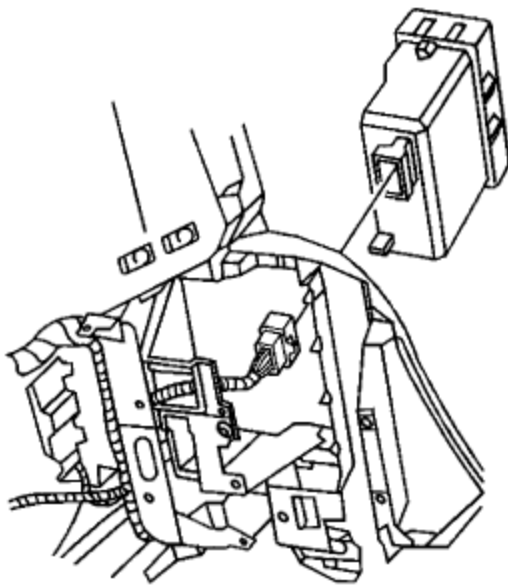


REMOVAL PROCEDURE

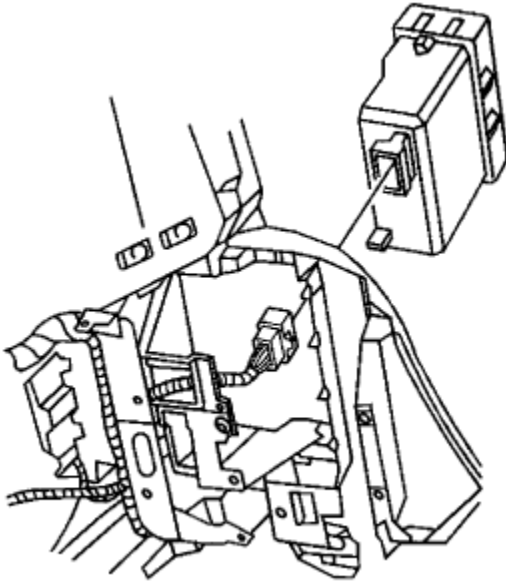


1. Disconnect the negative battery cable.
2. Remove the instrument panel accessory trim plate.
3. Remove the front floor console if equipped.
4. Remove the HVAC control assembly mounting bolts

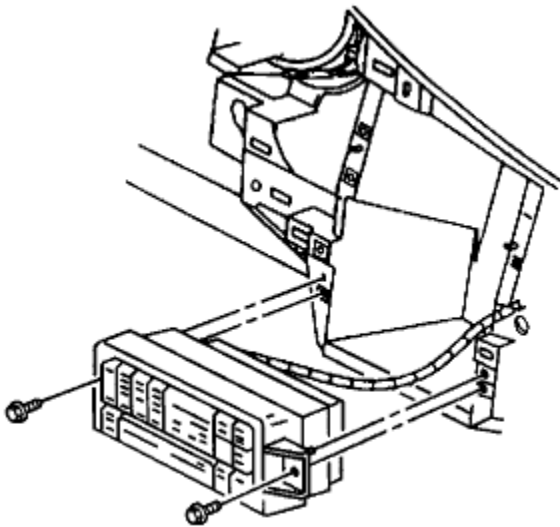


5. Disconnect the electrical connector.
6. Remove the HVAC control assembly.

INSTALLATION PROCEDURE



1. Connect the electrical connector.



2. Install the HVAC control assembly..
3. Install the HVAC control assembly mounting bolts. **Tighten** Tighten the control assembly bolts to **2 N.m (18 lb in)** .
4. install the instrument panel accessory trim plate.
5. Install the front floor console if equipped.
6. Connect the negative battery cable.

