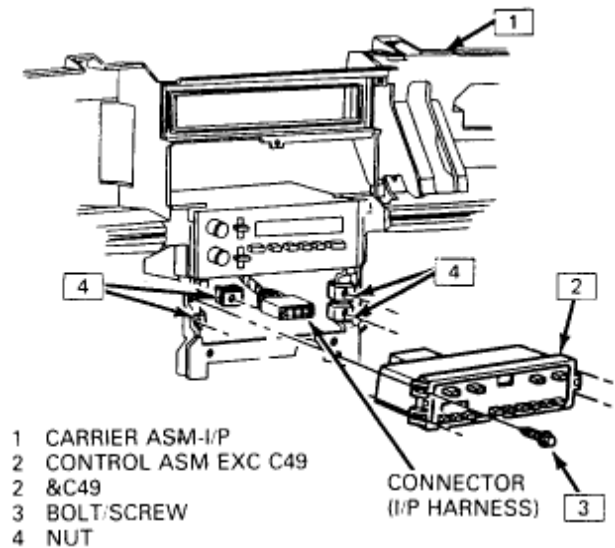


1986 TO 1989 Corvette Auto Climate Controller Removal Instructions



1. Disconnect battery ground cable.
2. Remove instrument panel screws securing trim plate and remove trim plate.
3. Remove screws securing front floor console trim plate and remove trim plate.
4. Remove 4 screws securing control panel and remove control panel.
5. To install, follow removal procedures in reverse order.

A.S.I. www.autoecu.com 1-866-983-6688