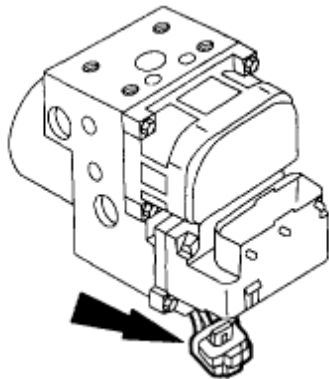


FORD MUSTANG BRAKE COMPUTER REMOVAL INSTRUCTIONS

Removal

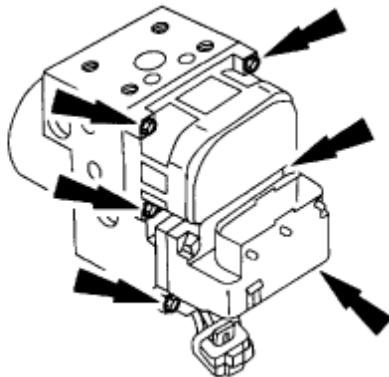
If your able to remove the mounting bracket enough to back the 6 torx screws out without bending the brake lines then you will be able to remove the ABS Module without removing any brake lines. The actual Removal Instructions call for the removal of the assembly ,HCU, and EBCM,

1. Remove the hydraulic control unit (HCU).



GH2555-A

Remove the pump motor electrical connector



GH2556-A

3. Remove the anti-lock-brake control module screws.
4. Remove the anti-lock-brake control module from the HCU.

Installation

1. **Note:** The brake system must be bled after the HCU is installed or replaced. To install, reverse the removal procedure.

ASI / 1-866-983-6688 WWW.AUTOECU.COM