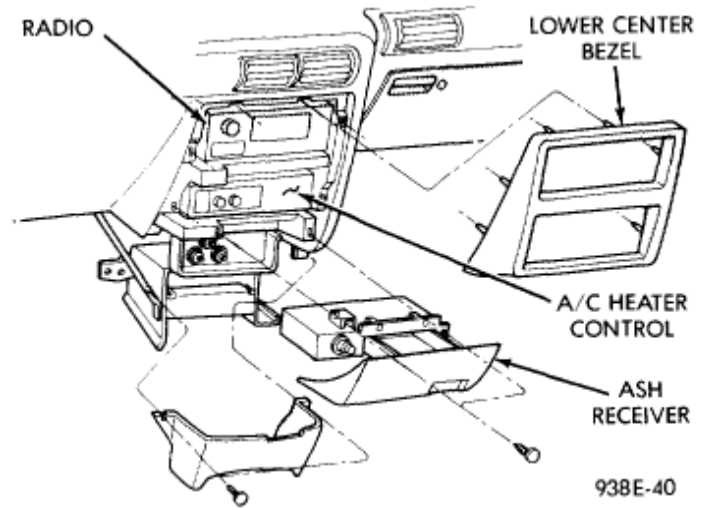


INTREPID CLIMATE CONTROLLER REMOVAL INSTRUCTIONS

REMOVAL

1. Remove the ash receiver assembly, if necessary.



2. Remove the lower center bezel and remove the mounting screws from sides of control.
3. Remove the control and disconnect the two electrical connectors.

INSTALLATION

- For installation, reverse the above procedures

AUTO & TRUCK ELECTRONICS 1-800-257-3395 WWW.AUTOECU.COM